

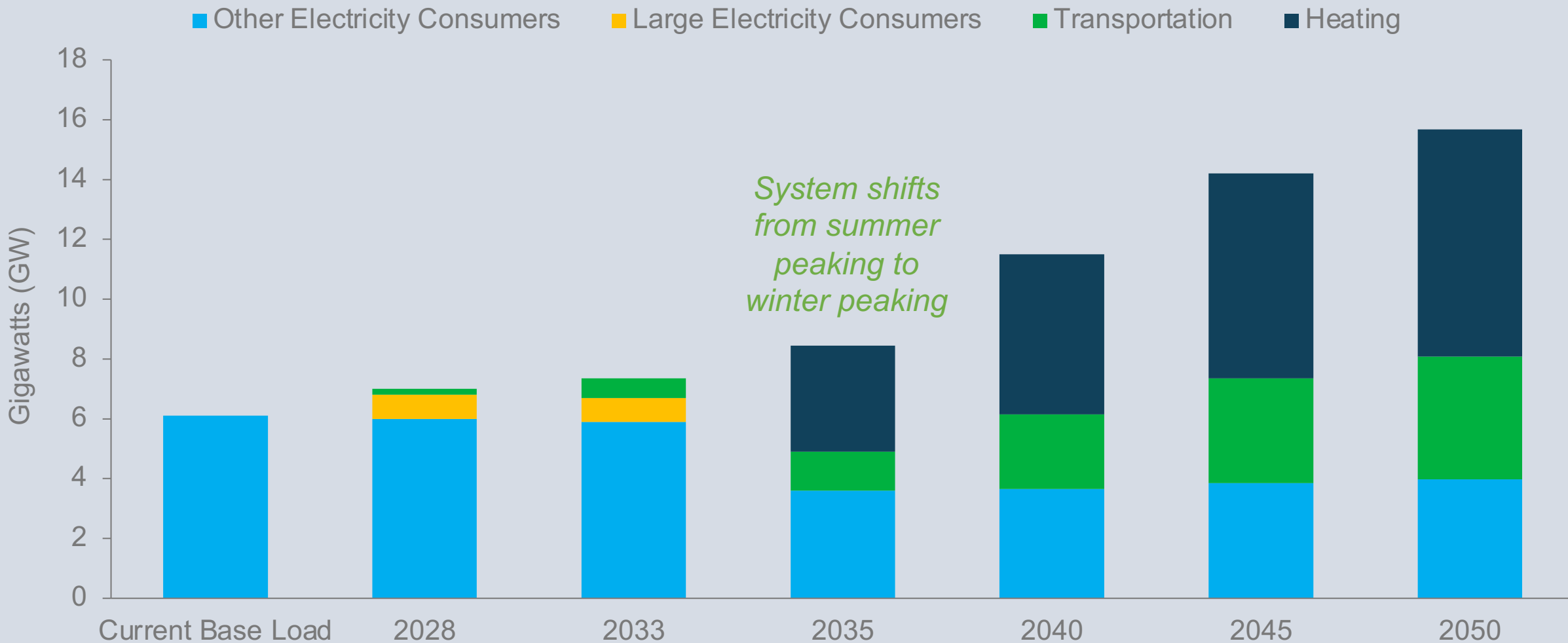
Community Centered
Decarbonization Planning

EVERSOURCE

Restructuring Roundtable

Eversource Massachusetts Peak Electric Demand

Expected to Increase 150% by 2050



Electric System Modernization 10 Year Plan anticipates **73 new/upgraded substations**

Opportunity: Pivot the Conversation on Infrastructure

Clean Energy Hub

Opportunity to accelerate decarbonization

Supports economic development

Enables healthier communities

Community Centric Solutions

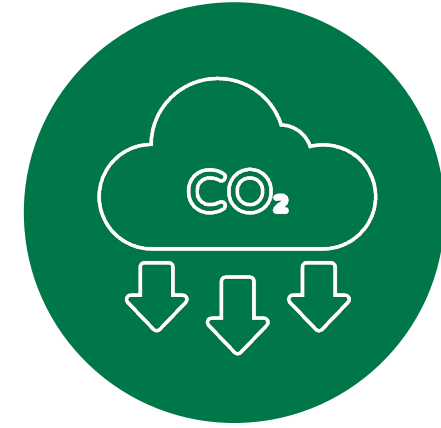
Community Centric Approach



Community
Engagement



Community
Needs



Community
Decarbonization
Plans

Meaningful Community Engagement

Enhanced outreach to **build trust framework**

Broad stakeholder **engagement**

Meaningful customer engagement

Intentional **focus on underserved** and environmental justice Communities

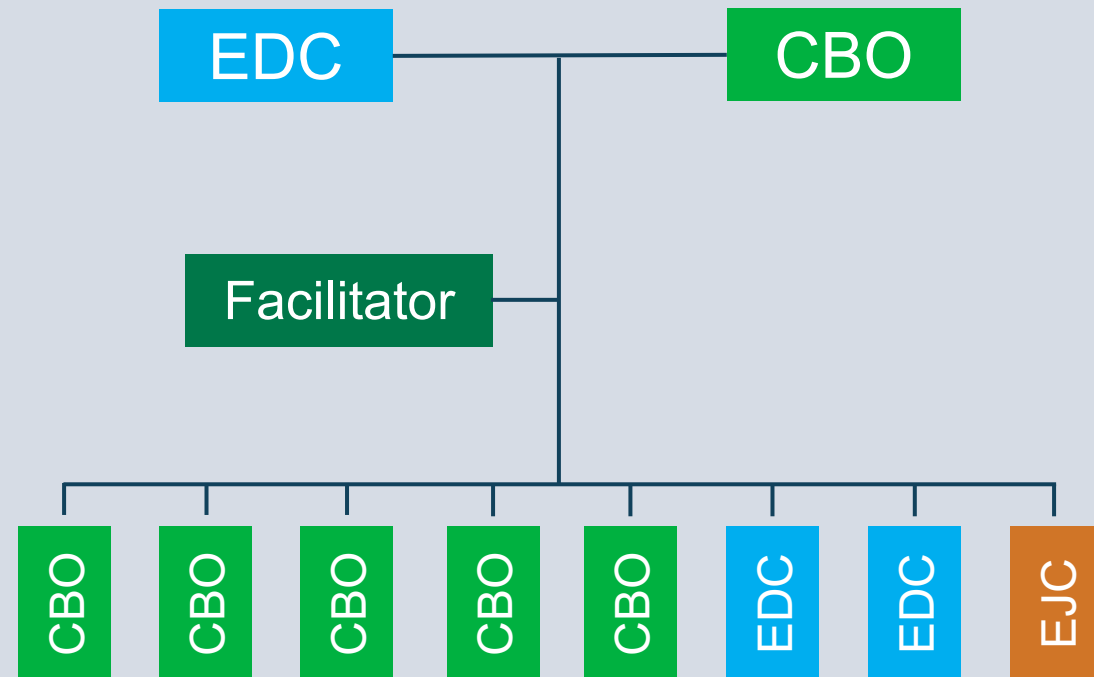


Empowering our Communities

- **Co-develop** a community engagement
- Facilitate an **evolving feedback loop**
- Prioritize the **voices of disadvantaged communities**
- Enable **continuous constructive engagement**
- Increasing **EDC accountability**
- Encourage **widest possible level** of community engagement

Community Engagement Stakeholder Advisory Group

EDC: Electric Distribution Company
CBO: Community Based Organization



Identify Community Priorities

Carbon Reduction

Economic Development

Energy Efficiency

Renewable Adoption

Resilience and Adaptation

Electrifying Fleets

Workforce Development

Build Community Decarbonization Plans

Robust Clean Energy Solutions

Decarbonization and Resiliency Planning

Transportation Electrification Solutions

Grant Support

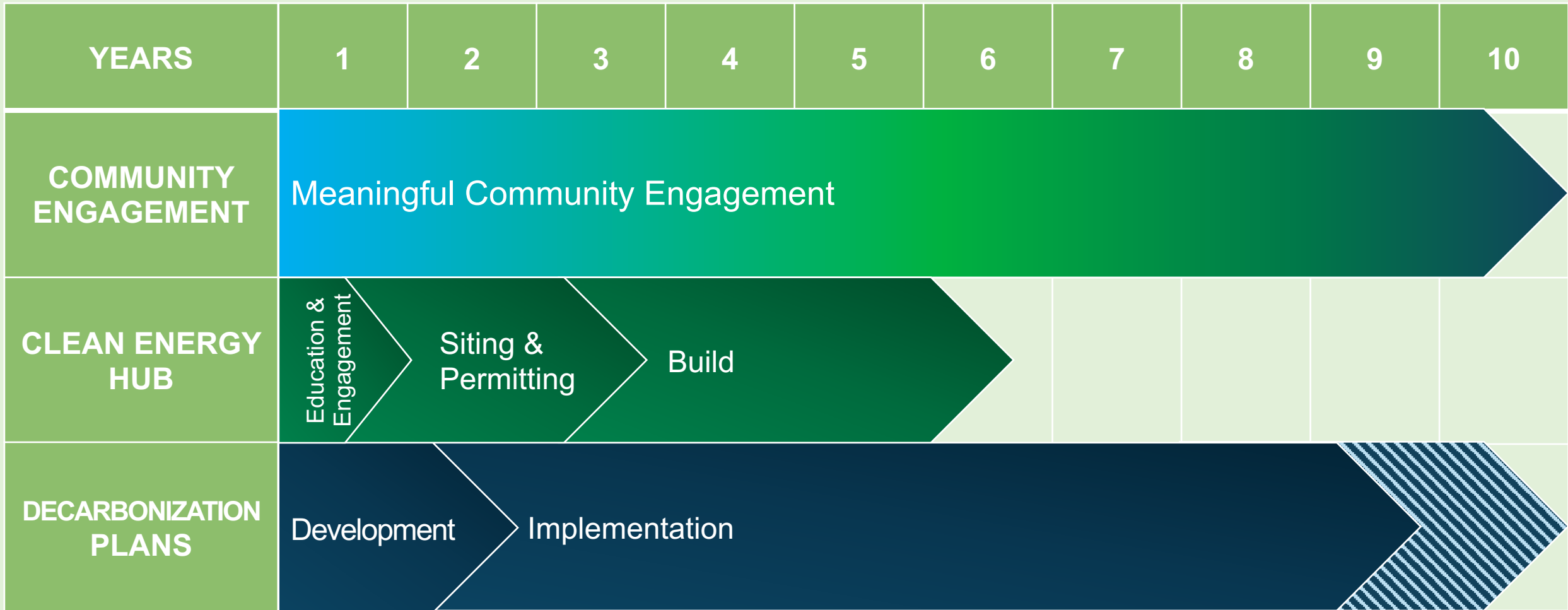
Outreach and Educational Campaigns

Workforce Development

New Business Development

Planning, Partnership, Commitment → **Decarbonized, Healthy, Vibrant** Communities

Timeline of Community Centric Clean Energy Hubs and Decarbonization Plan



Assumes new siting and permitting process in place

Community Centered
Decarbonization Planning

EVERSOURCE

Restructuring RoundTable

Penni McLean-Conner

 [in/penni-mclean-conner-b8743912](https://www.linkedin.com/in/penni-mclean-conner-b8743912)

 [@penniconner](https://twitter.com/penniconner)

 penelope.conner@eversource.com